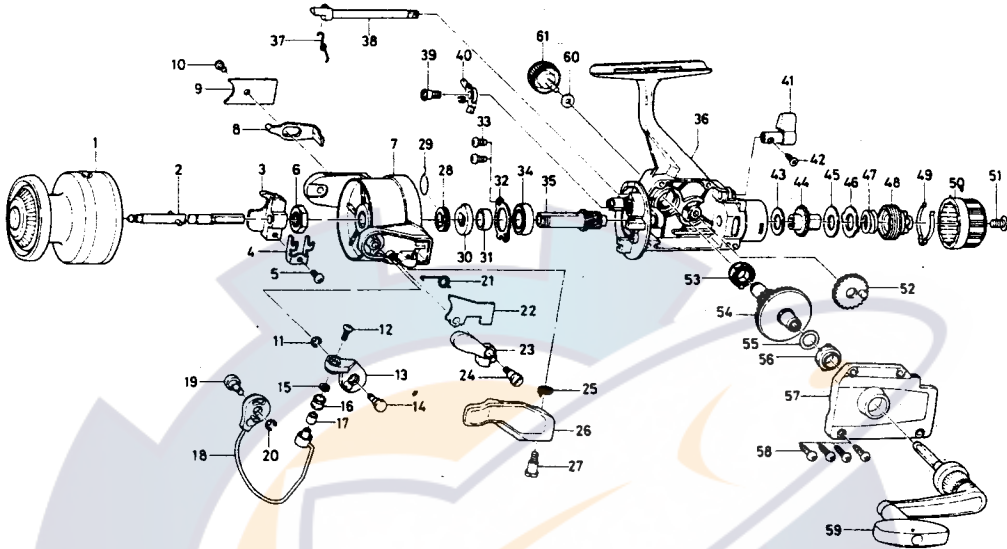


SPINNING REEL GS1655/2055



Key No.	Parts No.	Parts Name	Price Each
1	E00-4401	Spool	8.00
2	B83-9801	Main shaft	1.75
3	B64-0102	Oscillating slider	0.75
4	B49-2501	Oscillating slider retainer	0.50
5	351-1804	Oscillating slider screw	0.35
6	340-8301	Rotor nut	0.50
7	B82-1902	Rotor	8.75
8	B83-6701	Bail trip lever	0.75
9	B76-9703	Bail trip cover	0.35
10	B83-4402	Bail trip cover screw	0.35
11	320-5901	Bail arm screw retainer	0.40
12	B67-9302	Line roller screw	0.35
13	B67-4601	Bail arm	1.20
14	B83-3801	Bail arm screw	0.45
15	B55-4301	Line roller washer A	0.35
16	250-3921	Line roller	0.80
17	B45-1501	Line roller bushing	0.40
18	B83-6501	Bail	3.70
19	B83-4201	Bail trip cam screw	0.60
20	320-5901	Bail trip cam screw retainer	0.40
21	B76-9101	Bail spring	0.45
22	B83-6401	Bail spring cover	0.35
23	B76-9301	Trigger plate	1.20
24	B68-8801	Bail spring cover screw	0.80
25	B67-5201	Trigger spring	0.50
26	B67-5105	Trigger lever	2.10
27	B68-8802	Trigger screw	0.75
28	B68-6401	Spring holder	1.10
29	145-0901	Anti-reverse pawl spring	0.50
30	B67-4301	Anti-reverse ratchet	0.85
31	B83-6201	Spacing sleeve	0.40
32	B35-6301	Bearing retainer	0.55
33	B83-4402	Bearing retainer screw	0.35
34	636-6011	Ball bearing	5.20
35	B83-6101	Pinion gear	3.50

Key No.	Parts No.	Parts Name	Price Each
36	E00-2301	Body	8.80
37	144-0321	Anti-reverse cam spring	0.50
38	B83-6001	Anti-reverse cam	1.05
39	B83-6301	Anti-reverse pawl screw	0.50
40	B74-5501	Anti-reverse pawl	0.75
41	B63-8101	Anti-reverse lever	1.50
42	B12-8201	Anti-reverse lever screw	0.50
43	B46-9504	Drag washer A	0.40
44	B76-9803	Click gear	0.35
45	373-3710	Drag washer B	0.60
46	B83-9501	Eared washer	0.40
47	B98-2901	Drag coil spring	0.80
48	B77-0004	Drag screw	0.90
49	B77-0301	Drag washer spring	0.40
50	B83-9601	Drag knob	1.45
51	352-1105	Drag knob spring screw	0.70
52	B74-3701	Oscillating gear	0.55
53	B84-3901	Bushing	0.40
54	B83-6801	Drive gear	1.65
55	373-7800	Drive gear washer	0.35
56	B84-3901	Bushing	0.40
57	E00-2401	Side cover	6.00
58	B83-5002	Side cover screw	0.40
59	E00-2501	Handle	5.50
60	B92-4901	Handle lock washer	0.40
61	E00-1801	Handle lock screw	0.50

GS2055 Special Parts			
1	E00-4501	Spool	8.00
7	B82-2102	Rotor	8.90
8	B83-7301	Bail trip lever	0.75
18	B84-0201	Bail	3.70
36	E00-2302	Body	13.75
57	E00-2402	Side cover	6.00
59	E00-2801	Handle	5.50